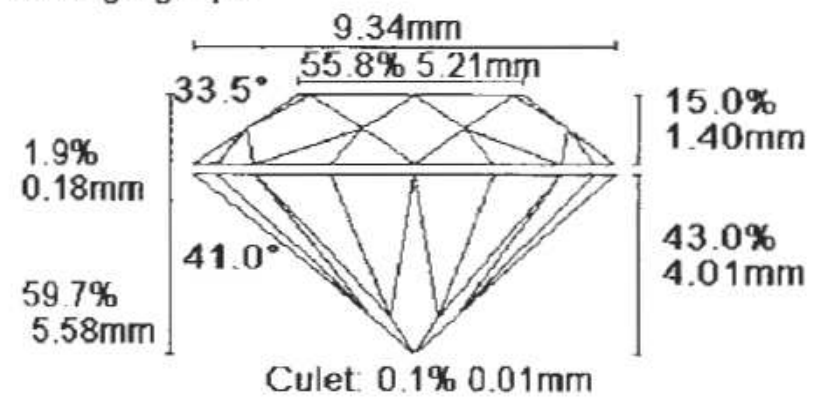


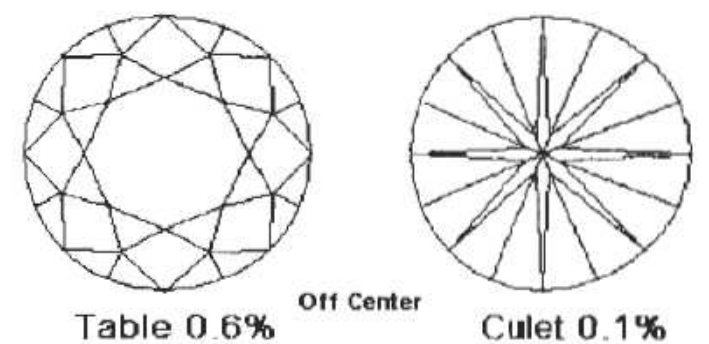
WEIGHT		2.869 Ct.			
DIAMETER(mm)	ID	9.34 (9.30 - 9.37) [0.7%]			
TOTAL DEPTH	%	59.7	5.58mm	ID	
CROWN ANGLE	°	33.5	(33.2 - 33.8)	ID	ID
CROWN HEIGHT	%	15.0	(14.8 - 15.5)	ID	ID
PAVIL ANGLE	°	41.0	(40.9 - 41.2)	ID	ID
PAVIL DEPTH	%	43.0	(42.7 - 43.2)	ID	ID
CULET	%	0.1	None	ID	
TABLE SIZE	%	55.8	(55.3 - 56.3)	ID	ID
GIRDLE THICKNESS	0.9 %	0.6 - 1.3		ID	VG
		V.Thin - Medium			
STAR / UPPER PROPORTION SYMMETRY	%	53.6 : 46.4			
		IDEAL			

(8)

Average graph



Crown & Pavilion graph



Girdle Profile

Girdle Thickness: 0.6-1.3%
Pavilion Side



Crown Side